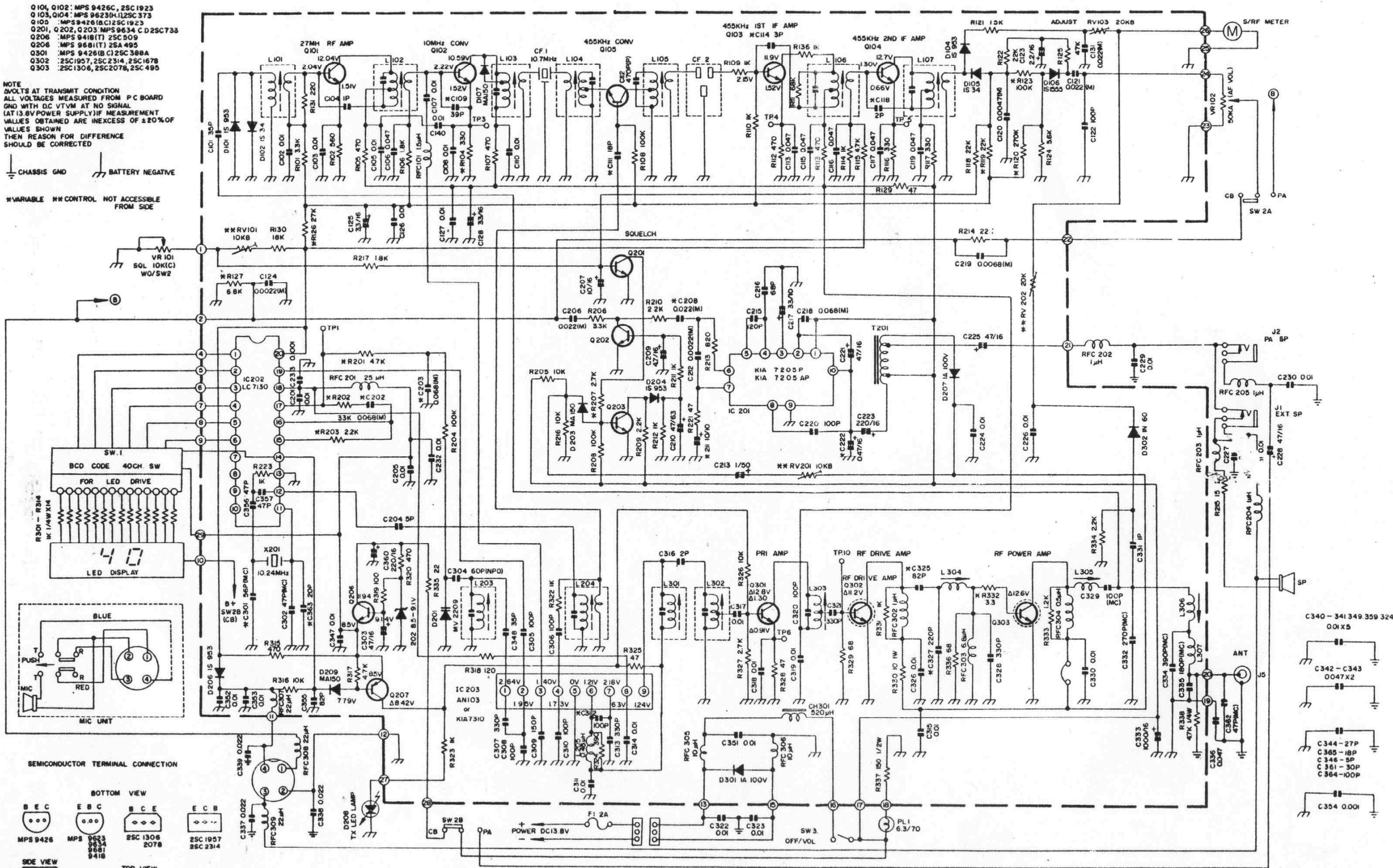


Q101, Q102: MPS 9426C, 25C1923
 Q103, Q104: MPS 9623H, 125C373
 Q105: MP59426(B,C) 25C1923
 Q201, Q202, Q203: MPS 9634, CD25C733
 Q206: MPS 9418(I) 25C509
 Q206: MPS 9651(I) 25A495
 Q301: MPS 9426(B,C) 25C388A
 Q302: 25C1957, 25C2314, 25C1678
 Q303: 25C1306, 25C2076, 25C495

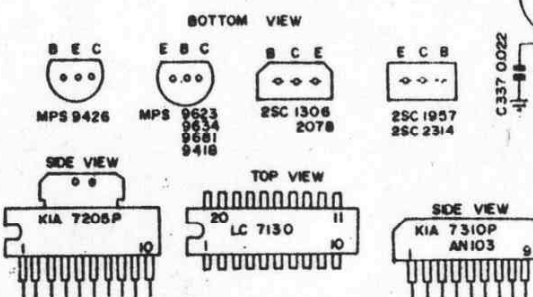
NOTE
 0 VOLTS AT TRANSMIT CONDITION
 ALL VOLTAGES MEASURED FROM P.C BOARD
 GND WITH D.C. VTVM AT NO SIGNAL
 (AT 13.8V POWER SUPPLY) IF MEASUREMENT
 VALUES OBTAINED ARE IN EXCESS OF ±20% OF
 VALUES SHOWN
 THEN REASON FOR DIFFERENCE
 SHOULD BE CORRECTED

CHASSIS GND BATTERY NEGATIVE

*VARIABLE **CONTROL NOT ACCESSIBLE FROM SIDE



SEMICONDUCTOR TERMINAL CONNECTION



- C340 - 341 349 359 324 0.01 X5
- C342 - C343 0.047 X2
- C344 - 27P
- C365 - 18P
- C346 - 5P
- C361 - 30P
- C364 - 100P
- C354 0.001